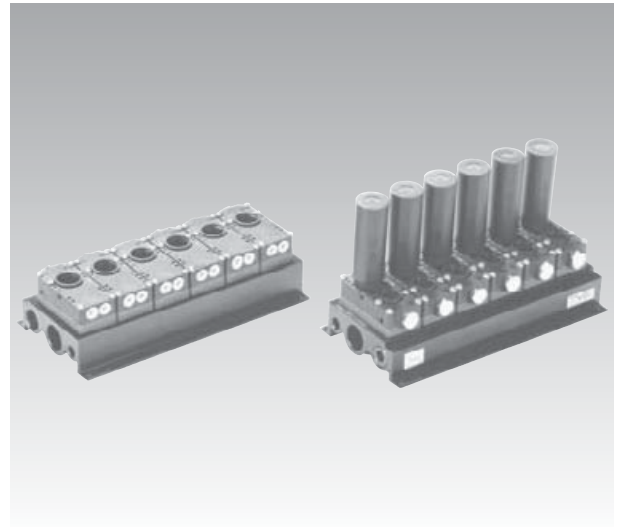


## M – Midimultiple Pump

<b>Max.vacuum level</b>	: -85kpa (-637.5mmHg)
<b>Max.Flow rate</b>	: 220NI/m x N stack
<b>Supply air pressure</b>	: 4-6bar, max. 7bar
<b>Supply air type</b>	: Dry compressed air
<b>Working temperature</b>	: -20°C to +80°C
<b>Noise level</b>	: 50 – 65dBA

### Main advantages

Basically this pump is similar function with mini multiple stack pump. Each individual pump can be stacked up thus creating a modular manifold based system. The advantages of this unit is that it can be operated with one supply air port and activating individual vacuum pump which mounted on the manifold, as the result if occur any leakage or surface deformation of one vacuum pad, it does not effect the vacuum performance in other vacuum pads. This pump can be stacked up from 2stack to 6stacks, depending on the requirement. This pump has sealing option of VITON® and EPDM for corrosive and acidic application. Also, can be integrated vacuum filters directly on the pumps.



### Order no.

**VTM10 x 6 - B - A3 - D3 - V**

①                      ②                      ③                      ④                      ⑤                      ⑥

① **Model** – Capacity equivalent to electricity motor pump size

• <b>VTM10</b>	– 0,1KW
VTM20	– 0,2KW
VTM30	– 0,3KW

② **Vacuum stack**

2	– 2 stack
3	– 3 stack
4	– 4 stack
5	– 5 stack
• 6	– 6 stack

③ **Vacuum port , Exhaust port**

	Vacuum	Exhaust
• <b>B</b>	G 3/8"	Internal silencer
BA	G 3/8"	Internal silencer, connection plate-AL
NB	NPSF 3/8"	Internal silencer
NBA	NPSF 3/8"	Internal silencer, connection plate-AL
C	G 3/8"	external silencer
NC	NPSF 3/8"	external silencer

④ **Air supply control valve**

A1	– AC110V
A2	– AC220V
• A3	– DC24V

⑤ **Control valve & Solenoid terminal**

	– Piston valve
1	– DIN type without lead wire
	– Piston valve
2	– DIN type with lamp without lead wire
	– Piston valve
3*	– Connector type with 0,3m lead wire & lamp
	– Diaphragm valve
D1	– DIN type without lead wire
	– Diaphragm valve
D2	– DIN type with lamp without lead wire
	– Diaphragm valve
• D3*	– Connector type with 0,3m lead wire & lamp

※ Remarks : VTM20 – over 5 stacks  
VTM30 – over 3 stacks <sup>※</sup> Using Piston valve  
\* : Only for DC24V

⑥ **Sealing**

No mark	– Standard (NBR)
• V	– Viton®
E	– EPDM

### Characteristics

Model	max. vacuum -kPa(-mmHg)	Max. vacuum flow (NI/m)	air consumption (NI/m)	noise level (dBA)	weight(g)		min hose inner Ø (within 2m)		
					B (NB,NC)	C	air supply	vacuum	exhaust
VTM10×2	85 (637.5)	74×2	60-84	50-60	380	393	>4	>8	3/8" ×2
VTM10×3		74×3	90-126	50-60	532	545	>6	>8	3/8" ×3
VTM10×4		74×4	120-168	55-60	695	708	>6	>8	3/8" ×4
VTM10×5		74×5	150-210	60-65	850	863	>6	>8	3/8" ×5
VTM10×6		74×6	180-252	60-65	998	1011	>8	>8	3/8" ×6
VTM20×2		85 (637.5)	149×2	120-168	50-60	399	412	>6	>10
VTM20×3	149×3		180-252	55-60	560	573	>6	>10	3/8" ×3
VTM20×4	149×4		240-336	60-65	735	748	>8	>10	3/8" ×4
VTM20×5	149×5		300-420	60-65	899	912	>10	>10	3/8" ×5
VTM20×6	149×6		360-504	60-68	1058	1071	>10	>10	3/8" ×6
VTM30×2	85 (637.5)	220×2	180-252	55-60	421	434	>6	>12	3/8" ×2
VTM30×3		220×3	270-378	60-65	587	600	>8	>12	3/8" ×3
VTM30×4		220×4	360-504	60-65	775	788	>10	>12	3/8" ×4
VTM30×5		220×5	450-630	60-68	947	960	>10	>12	3/8" ×5
VTM30×6		220×6	540-756	60-68	1116	1129	>10	>12	3/8" ×6

\* Remarks : BA(NBA)type weight = B type weight+(26×stack)

### Induce air in liters per minute (NI/m)

Model \ -mmHg -kPa	0	75	150	225	300	375	450	525	600
	0	10	20	30	40	50	60	70	80
VTM10x1 Stack	74	52	31	28	20	16	12	4.8	1.32
VTM20x1 Stack	149	99	62	54	40	32	22	10.5	2.7
VTM30x1 Stack	220	147	92	73	60	47	32	16	4.1

### Time in seconds to evacuate to vacuum level (sec/l)

Model \ -mmHg -kPa	75	150	225	300	375	450	525	600
	10	20	30	40	50	60	70	80
VTM10x1 Stack	0,109	0,278	0,5	0,788	1,178	1,72	2,635	5,158
VTM20x1 Stack	0,054	0,139	0,25	0,394	0,589	0,86	1,317	2,579
VTM30x1 Stack	0,041	0,104	0,186	0,295	0,441	0,647	0,898	1,935

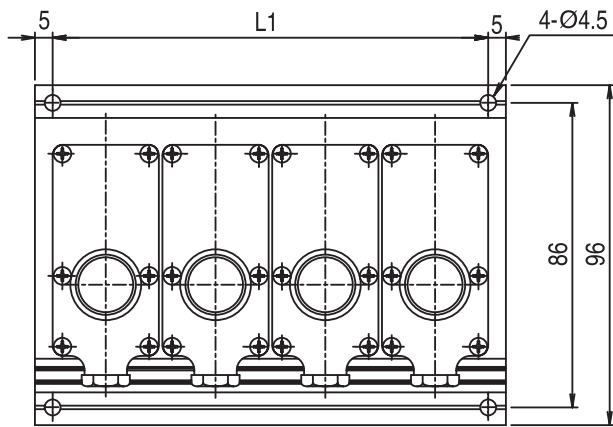
VACUUM PUMP

### Dimensional Information

#### VTM 10 x (2~6)-B

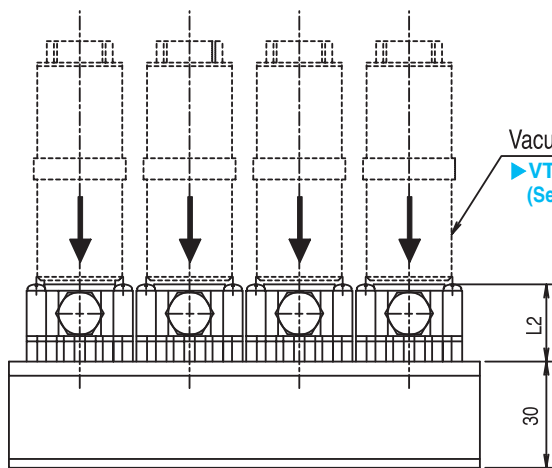
20

30

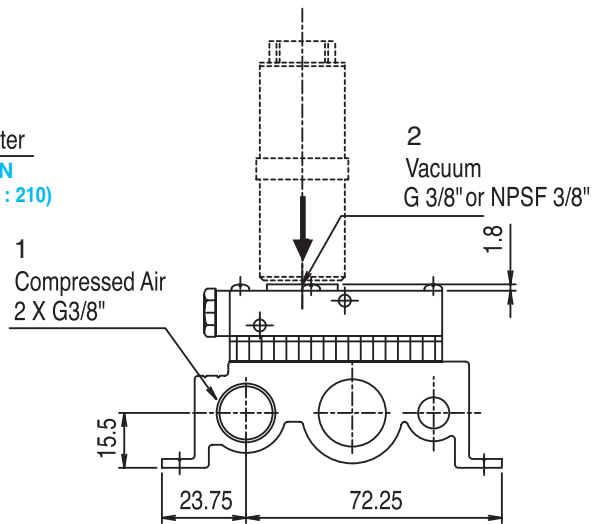


(mm)

Model	L1	L2
VTM10x2-B	61	21.8
VTM10x3-B	92	21.8
VTM10x4-B	123	21.8
VTM10x5-B	154	21.8
VTM10x6-B	185	21.8
VTM20x2-B	61	29
VTM20x3-B	92	29
VTM20x4-B	123	29
VTM20x5-B	154	29
VTM20x6-B	185	29
VTM30x2-B	61	36.2
VTM30x3-B	92	36.2
VTM30x4-B	123	36.2
VTM30x5-B	154	36.2
VTM30x6-B	185	36.2



Vacuum Filter  
 ▶ VTF 38-IN  
 (See page : 210)



### Dimensional Information

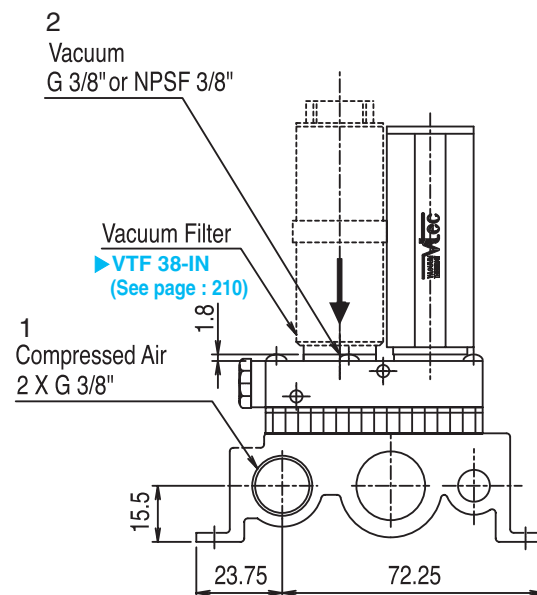
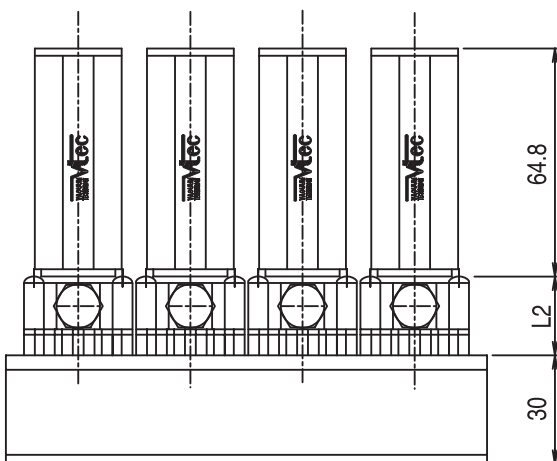
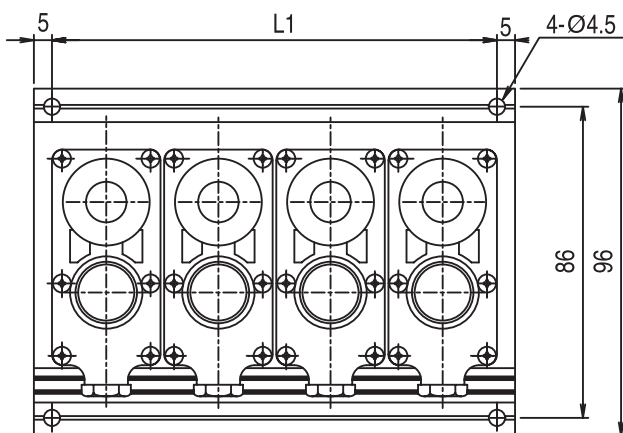
#### VTM 10 x (2~6)-C

20

30

(mm)

Model	L1	L2
VTM10x2-C	61	21.8
VTM10x3-C	92	21.8
VTM10x4-C	123	21.8
VTM10x5-C	154	21.8
VTM10x6-C	185	21.8
VTM20x2-C	61	29
VTM20x3-C	92	29
VTM20x4-C	123	29
VTM20x5-C	154	29
VTM20x6-C	185	29
VTM30x2-C	61	36.2
VTM30x3-C	92	36.2
VTM30x4-C	123	36.2
VTM30x5-C	154	36.2
VTM30x6-C	185	36.2



VACUUM PUMP